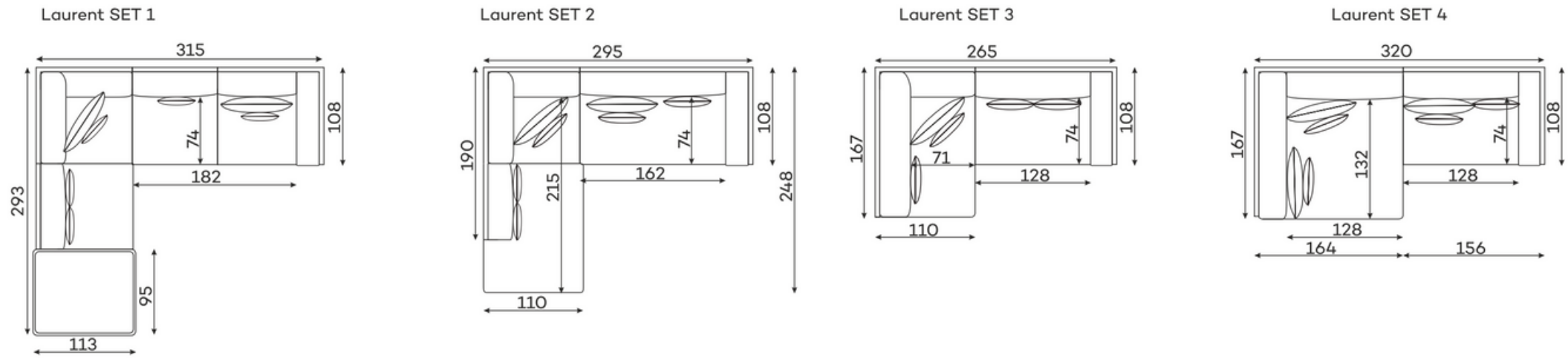




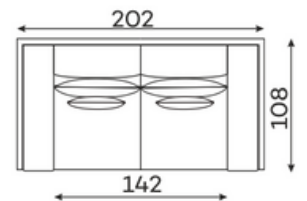
# Corner sofas

Available in a left-hand or right-hand configuration. The sets below are left-hand facing.

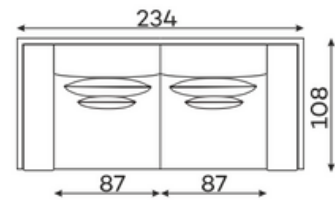


# Sofas

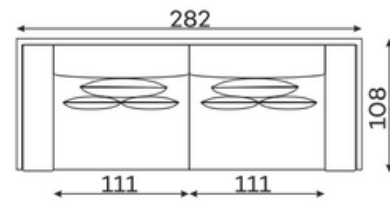
2-SEATER SOFA WITHOUT SLEEPING FUNCTION (THE FURNITURE CONSISTS OF ONE ELEMENT.)



3-SEATER SOFA WITHOUT SLEEPING FUNCTION. CONSISTS OF ( 1,5-SEATER ONE ARM UNIT + 1,5-SEATER ONE ARM UNIT.)

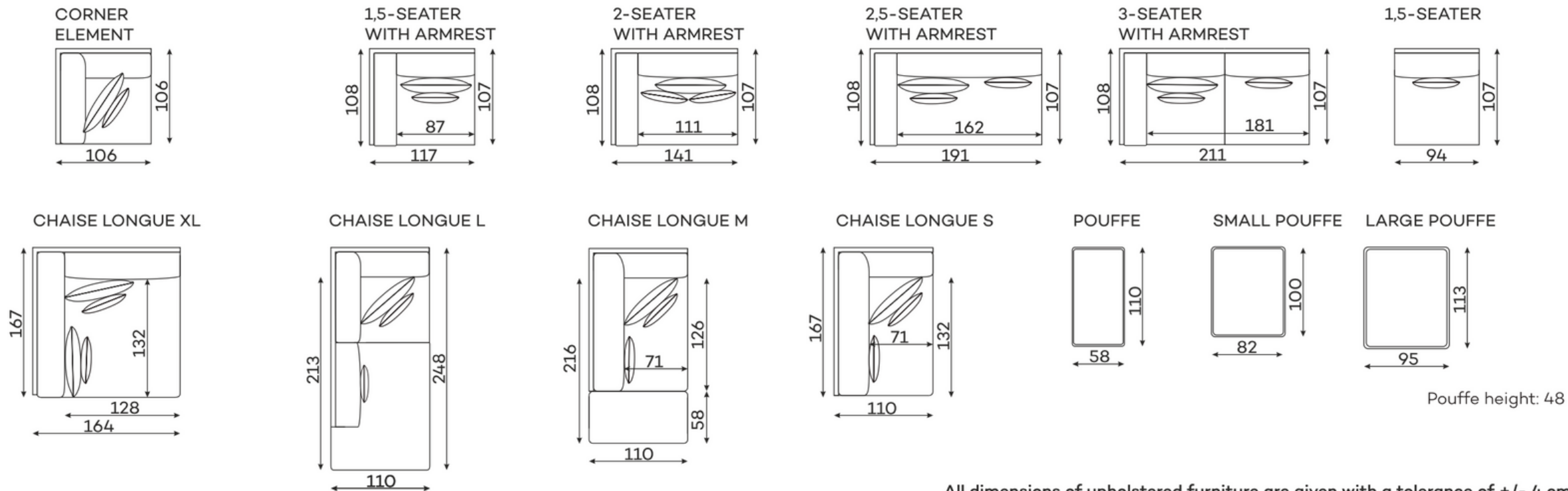


4-SEATER SOFA WITHOUT SLEEPING FUNCTION. CONSISTS OF (2-SEATER ONE ARM UNIT + 2-SEATER ONE ARM UNIT.)



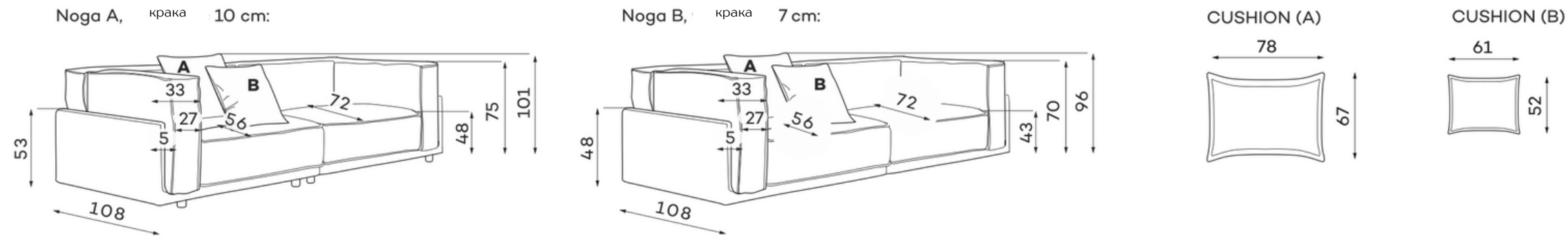
# Modular units

Available in a left-hand or right-hand configuration. The sets below are left-hand facing.



All dimensions of upholstered furniture are given with a tolerance of +/- 4 cm

# Other dimensions



## Leg colors available

Choose one of the two available legs, wood with gold or a version where the leg will be invisible.

Leg A, height 10 cm

BLACK  
-BLACK



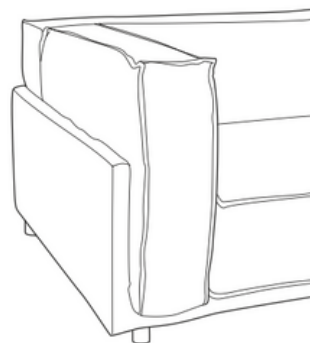
BLACK  
-COPPER



BLACK  
-CHROME

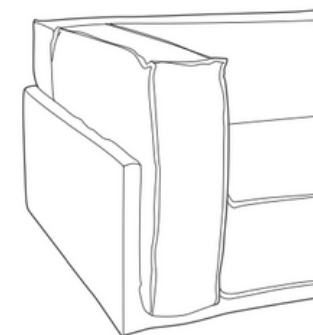


BLACK  
-BRASS



Leg B, height 7 cm - invisible

VENGE



## What makes the Laurent sofa stand out?



The sinuous springs make the seat more flexible and provide a perfect base for high-elastic foam.



You have the opportunity to choose a fabric from dedicated collections, including fabrics that are easy to clean.



The furniture is fully upholstered, so you can put it in the middle of the living room.



The collection offers several colours of legs. You decide what colour you want. Do you like them and want to buy them for your dresser, for example? Of course you can.



The perfect fit between the seat and backrest to the anatomical shape of the human body provides exceptional comfort and ergonomics of the body.



The highly elastic foam used increases the strength and elasticity of the seat preventing deformation.