

BONALDO

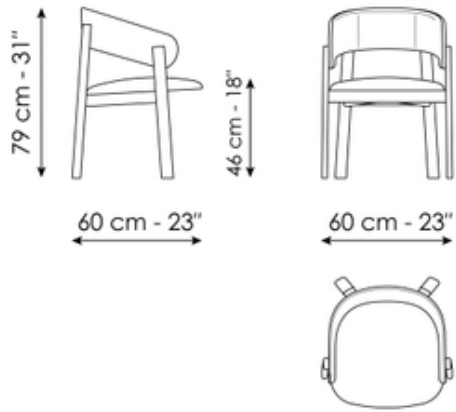
Alpha

Designer: Gabriele & Oscar Buratti



The Alpha chair is defined by its backrest, an enveloping upholstered volume that tilts towards the seat, almost touching it. The asymmetry introduced by this inclination gives the design a distinctive, unconventional character, making Alpha suitable not only for dining environments but also for a variety of different settings, while maintaining a strong identity across diverse design solutions. The backrest extends along the side of the seat in a continuous line, also integrating the function of an armrest. The frame, with a rectangular section and softened edges, is made of solid wood, while the upholstery is available in fabric, leather or eco-leather.

Data sheet



Alpha

Width: 60cm

Depth: 60cm

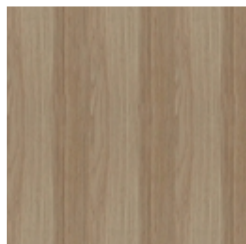
Height: 79cm

Finishes

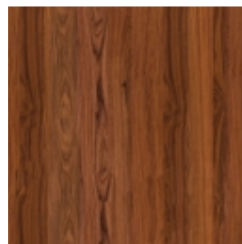
Legs



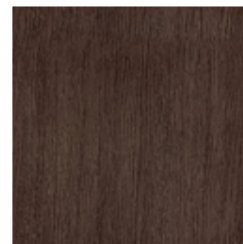
Solid wood
Coal ash



Solid wood
Grey ash



Solid wood
American walnut



Solid wood
Brown ash

Materials, fabrics, leathers, colors and finishes are approximate and may slightly differ from actual ones. You can find the complete collection of Bonaldo fabrics and leathers on the website <https://bonaldo.biz>