

BONALDO

Alpilles

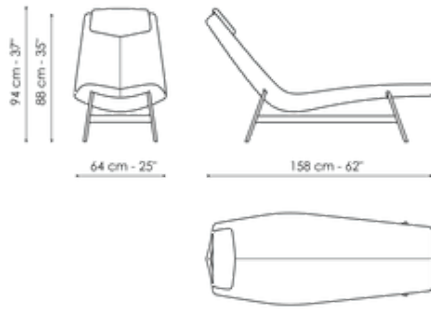
Designer: Fabrice Berrux



The chaise longue armchair is, in itself, an object that expresses an idea of pleasantness, a promise of emotions and positive moments. The Alpilles armchair is the dream of all the simple and fulfilling joys that will be experienced every time we fall into its embrace. The Alpilles armchair represents the ultimate in comfort combined with extreme aesthetic rigour. Inside a house it is, as the name suggests, an elegant and original piece of landscape. The Alpilles armchair and chaise longue is a piece of furniture whose shape has been precisely designed to combine comfort and elegance. Thanks to its several different customization options, namely the fabric or leather upholstery, Alpilles feels at ease in any kind of environment.



Data sheet



Alpilles

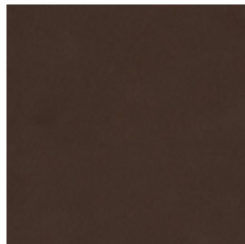
Width: 158cm

Depth: 64cm

Height: 94cm

Finishes

Base



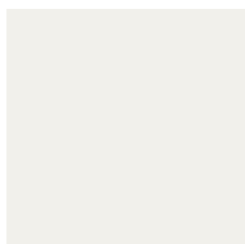
Painted metal
Mat bronze



Painted metal
Mat lead



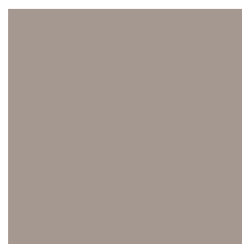
Painted metal
Mat pearl gold



Painted metal
Mat white



Painted metal
Supreme anthracite



Painted metal
Mat dove grey



Painted metal
Mat black



Metal finish
Clouded chrome



Metal finish
Brown nickel



Metal finish
Dark nickel

Materials, fabrics, leathers, colors and finishes are approximate and may slightly differ from actual ones. You can find the complete collection of Bonaldo fabrics and leathers on the website <https://bonaldo.biz>