



# ANGE SOFA

Norde

## TECHNICAL SPECIFICATIONS

Designed by  
*Norde Design Studio*

INTERIOR STRUCTURE    BEECH WOOD AND ELASTIC COLUMN

SEAT CUSHION    HR FOAM

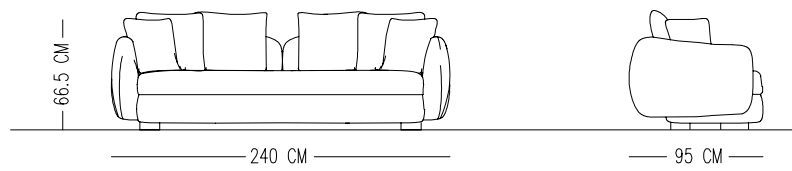
BACK    HR FOAM

UPHOLSTERY    TIGHT

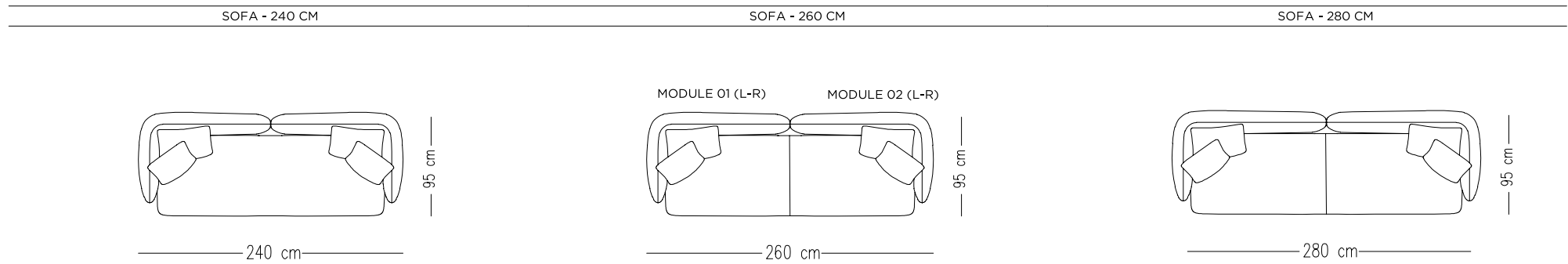
MAINTENANCE    ALL DECORATIVE CUSHIONS ARE GOOSE DOWN AND SILICON MIX, QUANTITY AND DIMENSIONS ARE AS PER TECHNICAL DRAWINGS. STANDART WITH 3 CUSHIONS 55\*55, 3 CUSHIONS 45\*45.

We recommend shaking and fluffing-up the cushions regularly to maintain the shape. This should be done after removing the cushions from the structure for improved air circulation. For maintenance of fabric and leather, please contact your retailer.

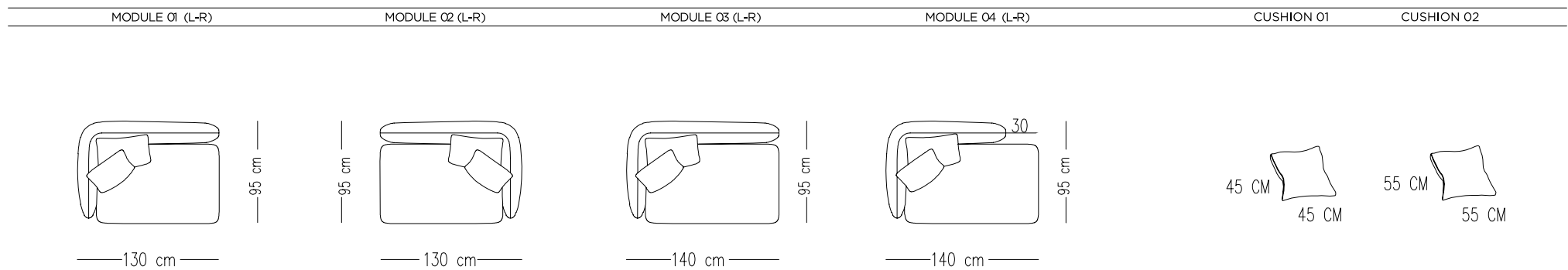




## STANDARDS



## MODULES



Catalog product-fabric

N-A20/Boucle



01

Alternative fabric  
Linen, Linen teddy, Suede and Boucle

Catalog product-Legs

Black Painted Metal



Fabric Matrix



Material Catalogue

