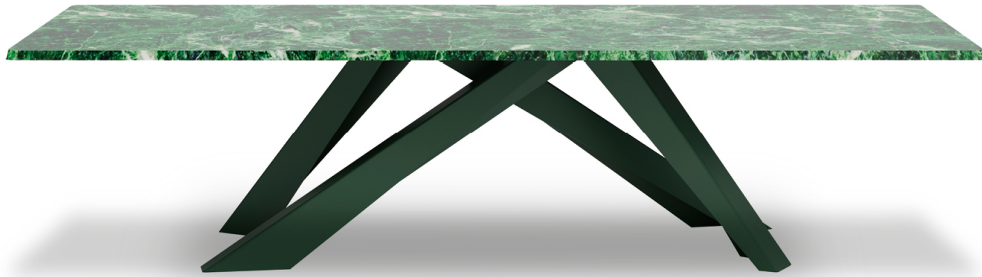


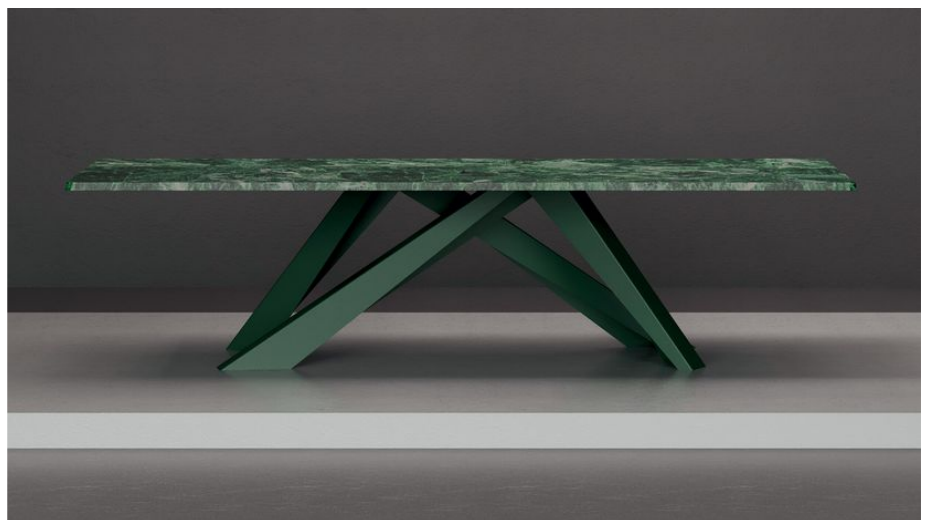
BONALDO

Big Table 10th Anniversary Special Edition

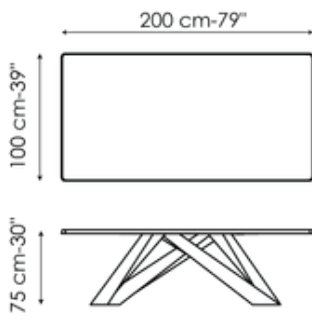
Designer: Alain Gilles



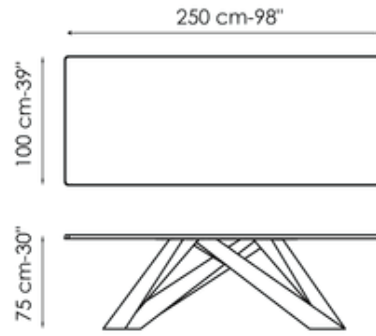
In 2009, Alain Gilles met Bonaldo and an unconventional idea emerged, a bold design for a product destined to make history: the Big Table. In 2019, a special edition to celebrate the 10th anniversary of an icon was presented. The distinguishing feature of the Big Table is its base, made up of four laser-cut steel legs that intertwine and overlap and whose perception changes, depending on the observer's perspective. It is a play on equilibrium, a magical contrast between the linearity of the top and the dynamism suggested by the inclined legs. Ten years after its launch, the Big Table is available in a special edition, featuring stunning Italian marble, to celebrate this vital milestone in the history of a product, which has become a true icon of design. In this new version, the table has a rectangular Saint Denis marble top with a strong graphic pattern and colours with extraordinary intensity. The top is combined with the steel base painted in the same colour, thereby creating a single piece that never ceases to astound and inspire.



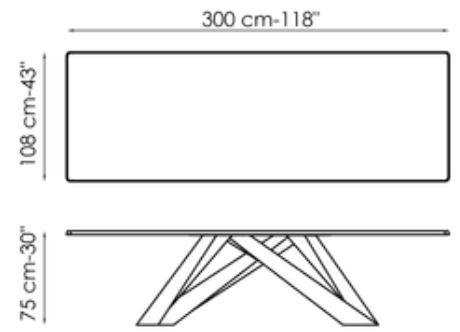
Data sheet



Width: 200cm
Depth: 100cm
Height: 75cm



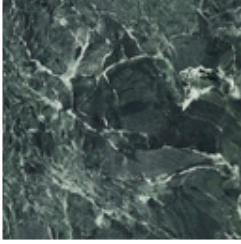
Width: 250cm
Depth: 100cm
Height: 75cm



Width: 300cm
Depth: 108cm
Height: 75cm

Finishes

Top



Marble
Saint Denis

Base



Painted metal
Mat Sanit Denis green

Materials, fabrics, leathers, colors and finishes are approximate and may slightly differ from actual ones. You can find the complete collection of Bonaldo fabrics and leathers on the website <https://bonaldo.biz>