

BONALDO

Blocco Desk

Designer: Alain Gilles



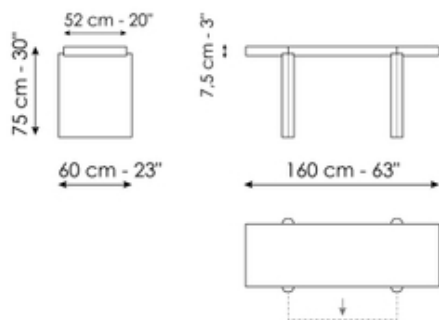
The Blocco collection, designed by Alain Gilles, is inspired by the idea of a large block of wood lifted and resting on two supports, almost like an archaeological artefact or a precious object to be highlighted and displayed.

The design stems from the contrast between two types of forms: on one side, a rigorous and minimal element defined by straight lines; on the other, softer yet substantial supports with rounded shapes. The legs, with their architectural presence, resemble pillars rather than simple supports.

Blocco desk appears as a strongly graphic and sculptural element, while remaining highly functional thanks to a hidden drawer that allows small items such as pens, notebooks, chargers, tablets or laptops to be stored discreetly. The drawer introduces a graphic detail that lightens the volume while preserving its monolithic appearance.

Blocco Desk, made of Canaletto walnut, is a versatile desk suitable for the whole family, whether for writing an email, studying or working from home.

Data sheet



Blocco Desk

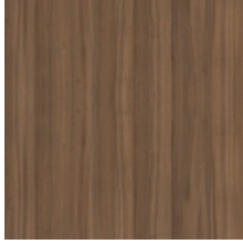
Width: 160cm

Depth: 60cm

Height: 75cm

Finishes

Frame



Veneered wood

Walnut Canaletto

Materials, fabrics, leathers, colors and finishes are approximate and may slightly differ from actual ones. You can find the complete collection of Bonaldo fabrics and leathers on the website <https://bonaldo.biz>