

BONALDO

Colibrì

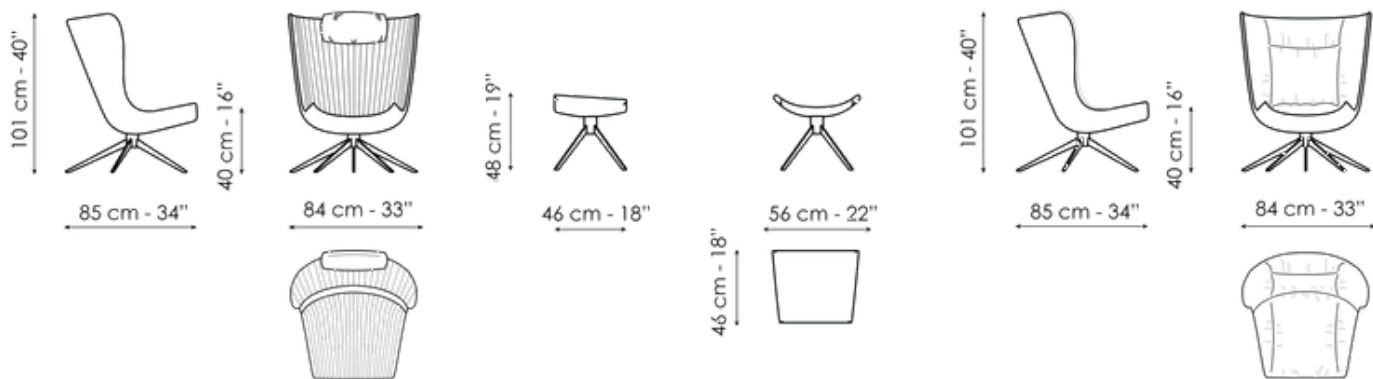
Designer: Fabrice Berrux



The Colibrì high-backed armchair looks like it is light-weight, yet at the same time it appears to have an imposing presence in any space. This armchair has a generous seat that comfortably welcomes its guests and envelops them with its large backrest. The oversize seat and backrest are supported by an apparently slender base to create an interesting game of balances. The five-spoke swivel base lends the overall image lightness and motion, recalling that idea of "comfort without gravity" conceived by the designer. The special padding of the seat and the backrest emphasises the sense of softness and comfort already guaranteed by the laminated fabric upholstery that adds volume to the figure. Also available in the Colibrì soft version, with softer shapes, for endless comfort.



Data sheet



Colibri

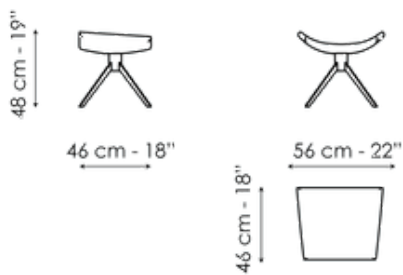
Width: 84cm
Depth: 85cm
Height: 101cm

Footrest

Width: 56cm
Depth: 46cm
Height: 48cm

Colibri soft

Width: 84cm
Depth: 85cm
Height: 101cm

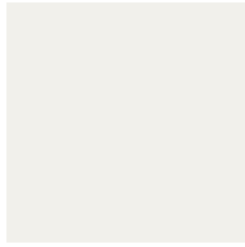


Footrest soft

Width: 56cm
Depth: 46cm
Height: 48cm

Finishes

Base



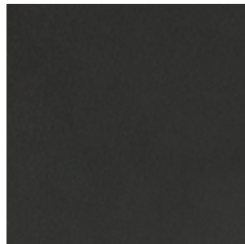
Painted metal
Mat white



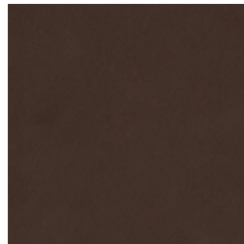
Painted metal
Mat black



Painted metal
Mat dove grey



Painted metal
Mat lead



Painted metal
Mat bronze



Painted metal
Mat pearl gold



Metal finish
Clouded chrome



Metal finish
Brown nickel



Metal finish
Dark nickel

Materials, fabrics, leathers, colors and finishes are approximate and may slightly differ from actual ones. You can find the complete collection of Bonaldo fabrics and leathers on the website <https://bonaldo.biz>