

BONALDO

Coseno, Coseno plus

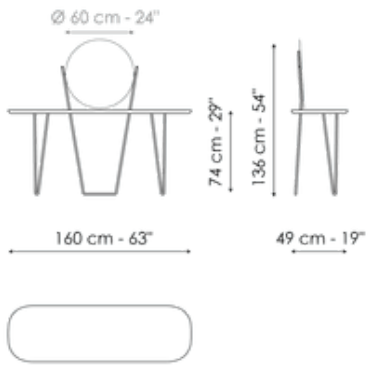
Designer: Mauro Lipparini



Light in its tubular structural elements yet strong in its proportions, the Coseno bedroom modern makeup vanity desk is a multifunctional console: a display surface, dressing table, desk and adjustable mirror. Precisely because of these features, it is an ideal item for furnishing any environment, to be placed either in the entrance hall or the bedroom. The slender frame, available in matt painted metal or in the elegant matt copper and matt bronze finishes, supports a wooden top: a sophisticated material element that gives warmth, enriches the overall lightness and makes it immune to the passage of time. In the Coseno plus version, the two practical metal drawers, made in the same finish as the base, offer further space for placing books or objects.



Data sheet

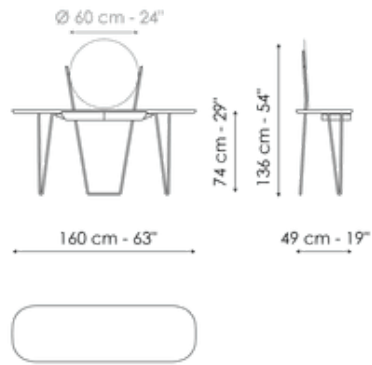


Coseno

Width: 160cm

Depth: 49cm

Height: 136cm



Coseno plus

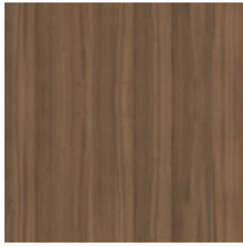
Width: 160cm

Depth: 49cm

Height: 136cm

Finishes

Top

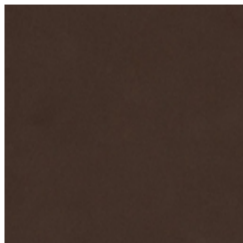


Veneered wood
Walnut Canaletto

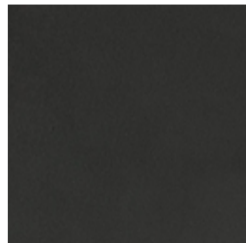


Veneered wood
Brushed coal oak

Drawers



Painted metal
Mat bronze



Painted metal
Mat lead



Painted metal
Mat copper



Painted metal
Mat brass



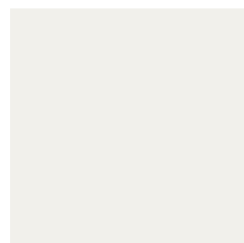
Painted metal
Mat pearl gold



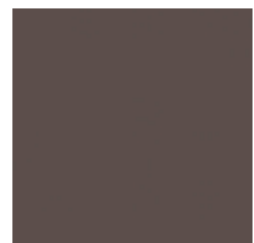
Painted metal
Supreme anthracite



Painted metal
Mat black



Painted metal
Mat white



Painted metal
Mat brown



Painted metal
Mat dove grey

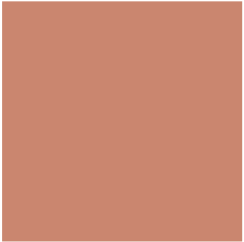
Base



Painted metal
Mat bronze



Painted metal
Mat lead



Painted metal
Mat copper



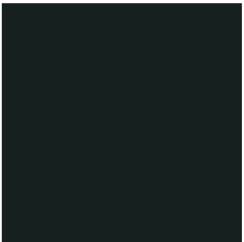
Painted metal
Mat brass



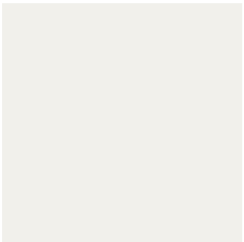
Painted metal
Mat pearl gold



Painted metal
Supreme anthracite



Painted metal
Mat black



Painted metal
Mat white

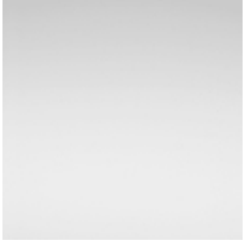


Painted metal
Mat brown



Painted metal
Mat dove grey





Mirror
Mirror

Materials, fabrics, leathers, colors and finishes are approximate and may slightly differ from actual ones. You can find the complete collection of Bonaldo fabrics and leathers on the website <https://bonaldo.biz>