



DOMINO SOFA

Norde

TECHNICAL SPECIFICATIONS

Designed by
Norde Design Studio

INTERIOR STRUCTURE BEECH HARDWOOD FRAME

SEAT CUSHION HR FOAM

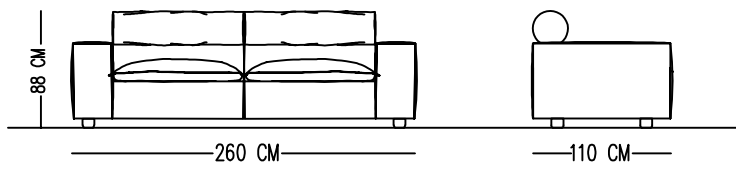
BACK HR FOAM

UPHOLSTERY TIGHT

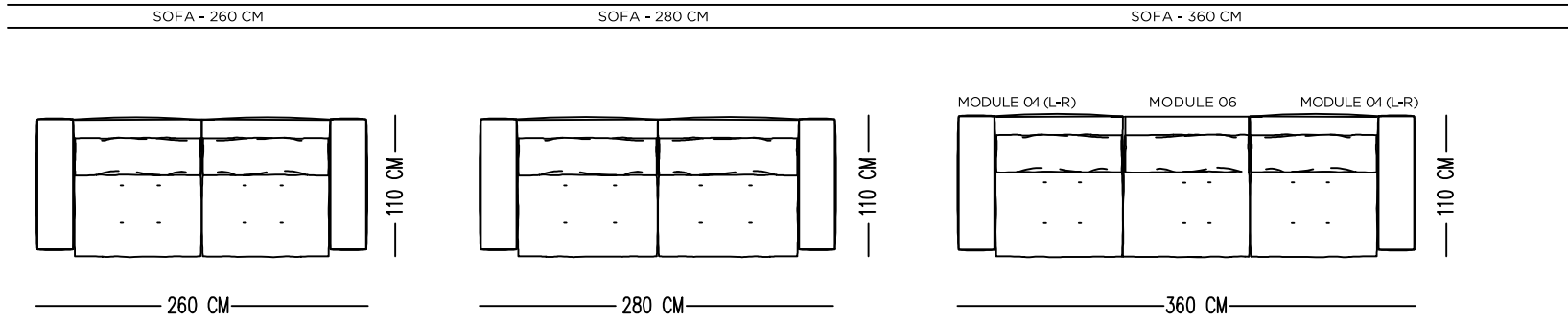
MAINTENANCE ALL DECORATIVE CUSHIONS ARE GOOSE DOWN AND SILICON MIX, QUANTITY AND DIMENSIONS ARE AS PER TECHNICAL.

We recommend shaking and fluffing-up the cushions regularly to maintain the shape. This should be done after removing the cushions from the structure for improved air circulation. For maintenance of fabric and leather, please contact your retailer.

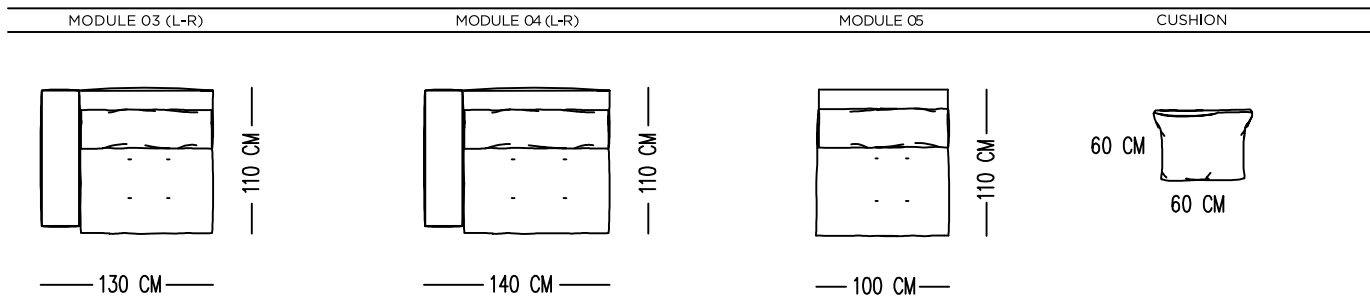




STANDARDS



MODULES



Catalog product-fabric

N-A37/Soft Velvet



15 Frost

Alternative fabric
Linen, Soft velvet and Nubuck

Catalog product-Legs

Hidden leg

Fabric Matrix



Material Catalogue

