

BONALDO

Lovy armchair low, Lovy armchair bergère



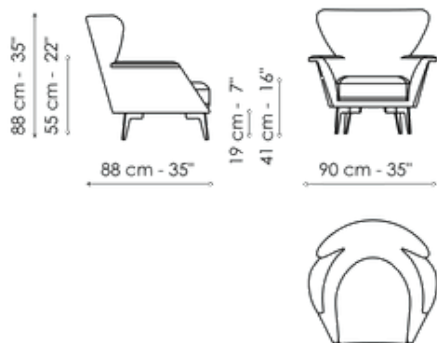
The Lovy armchair has a semi-oval shape, which invites conversation and creates movement from a visual point of view. The body is upholstered in removable fabric; the metal base is available in numerous colours and finishes.

The Lovy armchair for living room is available in two versions: with low backrest, (Lovy armchair low) and with high backrest, which recalls the silhouette of the typical 18th century upholstered armchair (Lovy armchair bergère). A round and a square pouf can be combined with it to ensure even more comfort.

The vast success that this model has enjoyed has inspired Bonaldo to introduce a complete Lovy collection, thus making it possible to create perfectly coordinated environments with the same original style connotations: Lovy hi (sofa with straight, high backrest), Lovy low (sofa with straight, low backrest) and Lovy ego (quilted sofa).

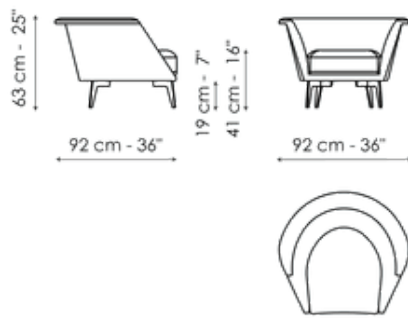


Data sheet



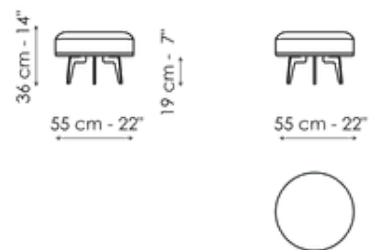
Lovy armchair Bergère

Width: 90cm
Depth: 88cm
Height: 88cm



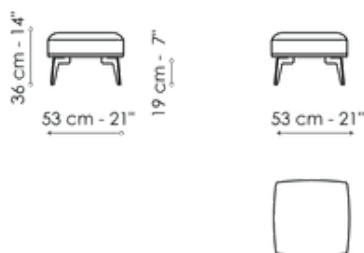
Lovy armchair Bow

Width: 92cm
Depth: 86cm
Height: 63cm



Lovy pouf

Width: 55cm
Depth: 55cm
Height: 36cm

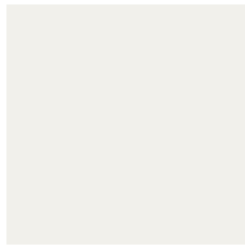


Lovy pouf

Width: 53cm
Depth: 53cm
Height: 36cm

Finishes

Feet



Painted metal
Mat white



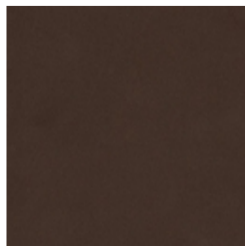
Painted metal
Mat dove grey



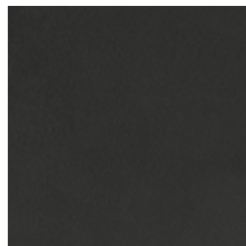
Painted metal
Supreme anthracite



Painted metal
Mat black



Painted metal
Mat bronze



Painted metal
Mat lead



Painted metal
Mat copper



Painted metal
Mat brass



Painted metal
Mat pearl gold



Metal finish
Clouded chrome



Metal finish
Brown nickel



Metal finish
Dark nickel

Materials, fabrics, leathers, colors and finishes are approximate and may slightly differ from actual ones. You can find the complete collection of Bonaldo fabrics and leathers on the website <https://bonaldo.biz>