



OLIVER SOFA

TECHNICAL SPECIFICATIONS

Norde

Designed by
Norde Design Studio

INTERIOR STRUCTURE

BEECH HARDWOOD FRAME AND ZIGZAG

SEAT CUSHION

HR FOAM

BACK

HR FOAM

LEGS

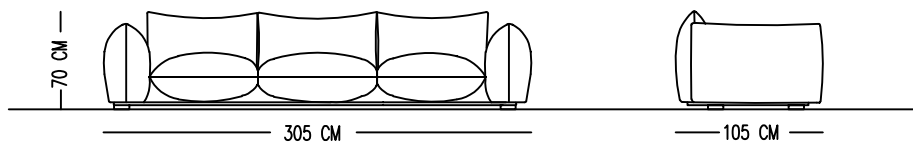
HARDWOOD

MAINTENANCE

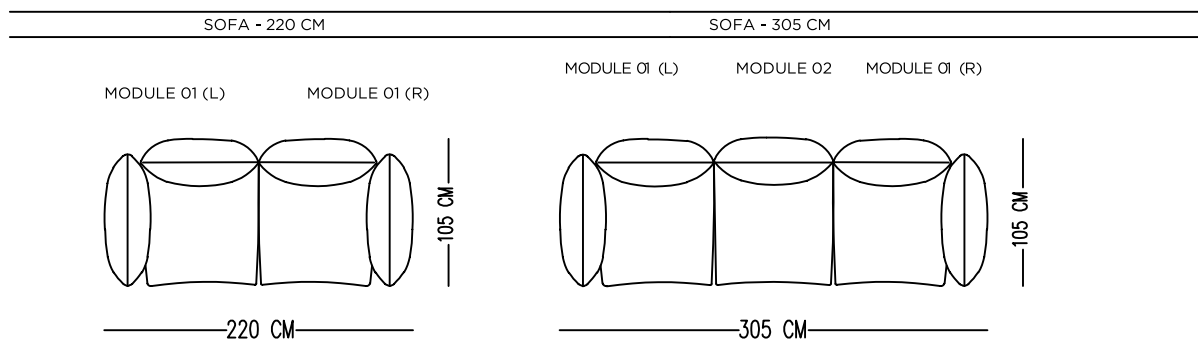
STANDART WITH 0 CUSHIONS

We recommend shaking and fluffing-up the cushions regularly to maintain the shape. This should be done after removing the cushions from the structure for improved air circulation. For maintenance of fabric and leather, please contact your retailer

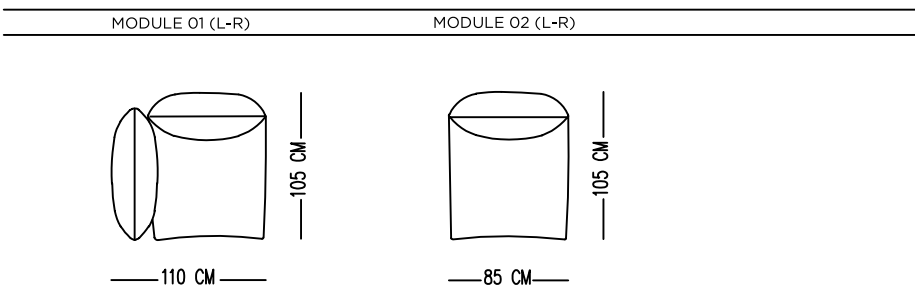




STANDARDS



MODULES



Catalog product-fabric

N-C21/Velvet



1007

Alternative fabric
Linen and Boucle

Catalog product-Legs

Hidden Leg

Fabric Matrix



Material Catalogue

