

BONALDO

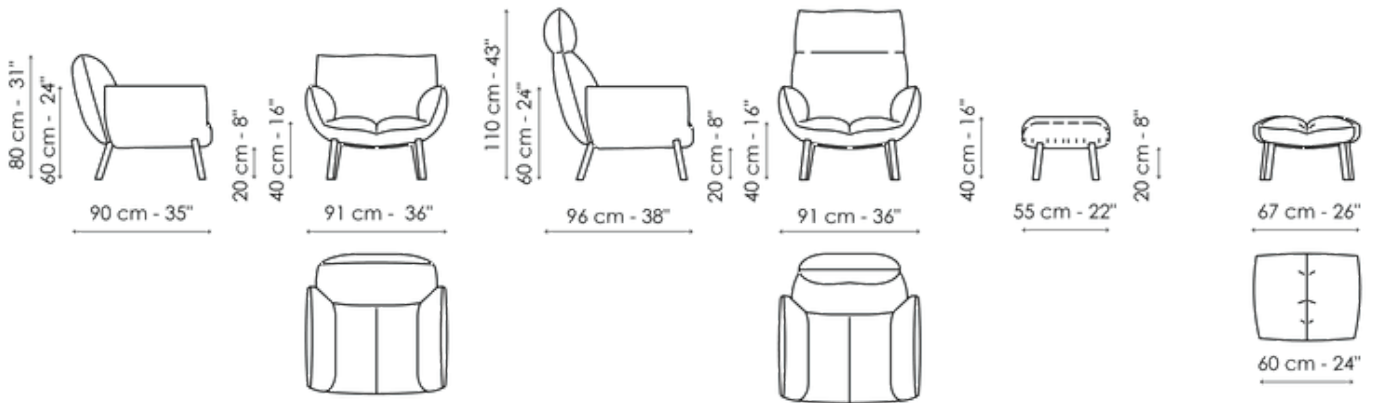
Pil armchair



The Pil armchair is inspired by the object that is itself a symbol of softness, the pillow: usually interpreted as an accessory, here the pillow plays the starring role, shaped and adapted to create the most comfortable armchair that conveys relaxation. The main components of Pil are the backrest cushion and the seat cushion. The latter features a fold in the middle, created to generate an enveloping effect that physically and visually emphasises the feeling of softness. The base has legs in painted metal or with elegant finishes. The Pil collection, in addition to the armchair, also includes a series of coordinated seats: Pil, (chair), Pil up (chair with high backrest), Miss Pil (chair with armrests), Miss Pil up (chair with high backrest and armrests) and Pil too (stool).



Data sheet



Pil armchair

Width: 91cm

Depth: 90cm

Height: 80cm

Pil armchair hi

Width: 91cm

Depth: 96cm

Height: 110cm

Pil armchair footrest

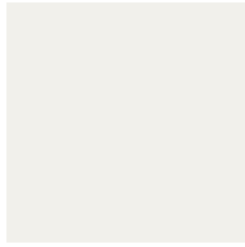
Width: 55cm

Depth: 67cm

Height: 40cm

Finishes

Feet



Painted metal
Mat white



Painted metal
Mat dove grey



Painted metal
Mat black



Painted metal
Mat bronze



Painted metal
Mat lead



Painted metal
Mat copper



Painted metal
Mat brass



Painted metal
Mat pearl gold

Materials, fabrics, leathers, colors and finishes are approximate and may slightly differ from actual ones. You can find the complete collection of Bonaldo fabrics and leathers on the website <https://bonaldo.biz>