

# BONALDO

## Prora

Designer: Mauro Lipparini

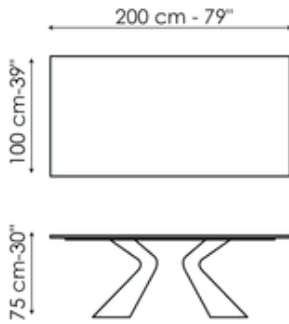


The powerful, inclined profile of the base, which recalls the bow of a ship, creates a dynamic, striking presence that becomes the central feature of rooms, both furnishing and at the same time optimising the seating space of the furniture dining table. The numerous finishes available for the base and the top allow the option of full personalisation without compromising the purity of the design and, instead, amplifying the artistic value.

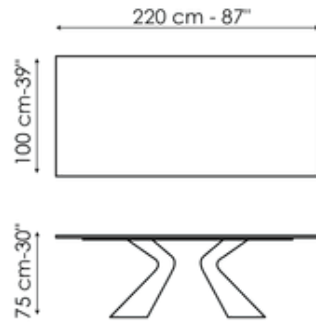
The top is made in different sizes in the rectangular and barrel versions, and is available either fixed or extendable. In the latter version, the two independent side extensions enable the surface length to be easily increased, maintaining excellent stability and solidity without sacrificing a clean-cut and sought-after aesthetic.



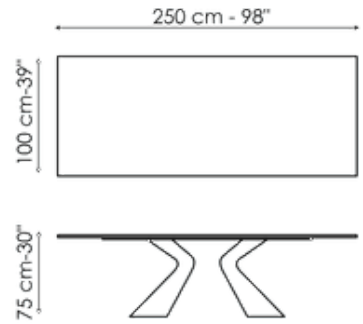
# Data sheet



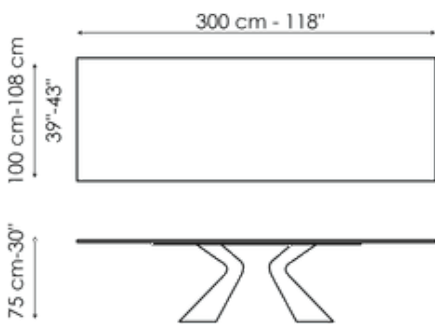
Width: 200cm  
Depth: 100cm  
Height: ± 75cm



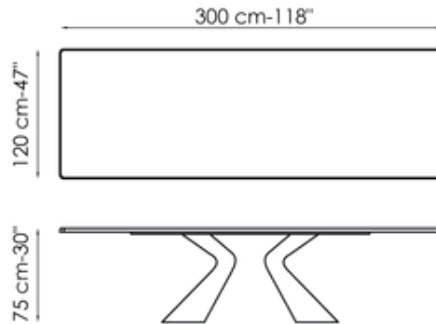
Width: 220cm  
Depth: 100cm  
Height: ± 75cm



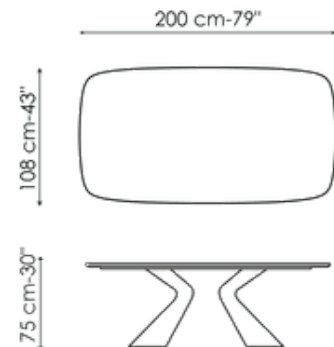
Width: 250cm  
Depth: 100cm  
Height: ± 75cm



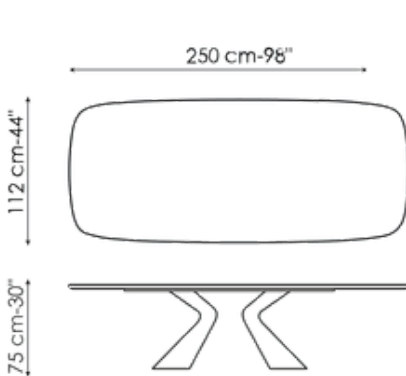
Width: 300cm  
Depth: 100-108cm  
Height: ± 75cm



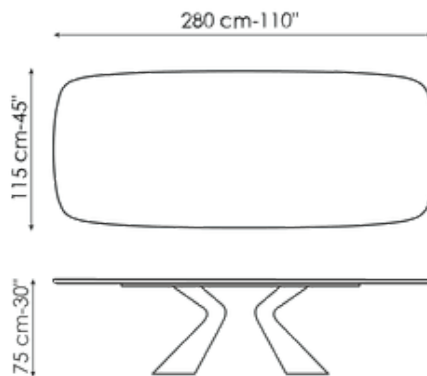
Width: 300cm  
Depth: 120cm  
Height: ± 75cm



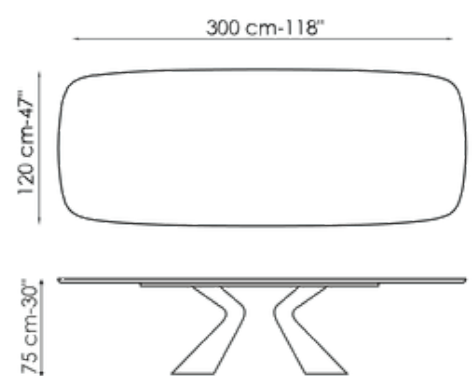
Width: 200cm  
Depth: 108cm  
Height: ± 75cm



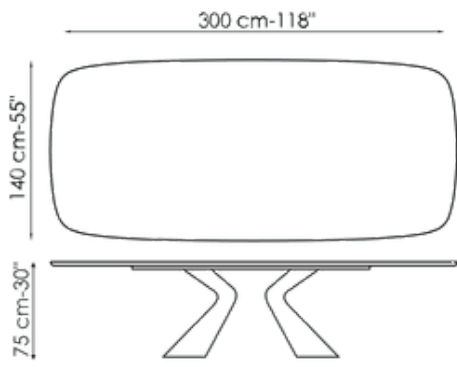
Width: 250cm  
Depth: 112cm  
Height: ± 75cm



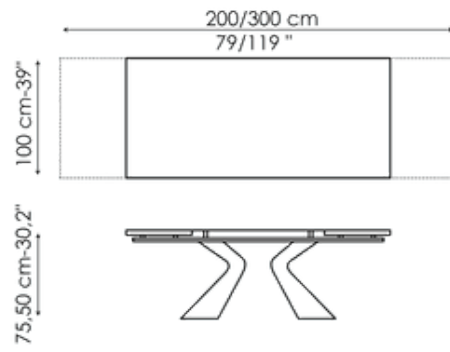
Width: 280cm  
Depth: 115cm  
Height: ± 75cm



Width: 300cm  
Depth: 120cm  
Height: ± 75cm



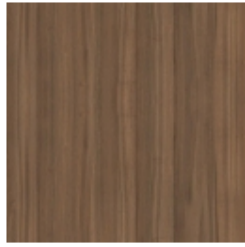
Width: 300cm  
Depth: 140cm  
Height: ± 75cm



Width: 200-300cm  
Depth: 100cm  
Height: ± 75cm

# Finishes

## Rectangular top



**Veneered wood**  
Walnut Canaletto



**Veneered wood**  
Brushed natural oak



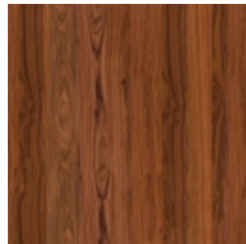
**Veneered wood**  
Brushed coal oak



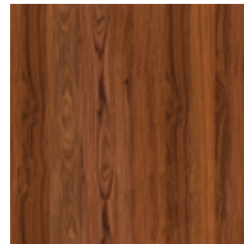
**Solid wood**  
Brushed coal oak



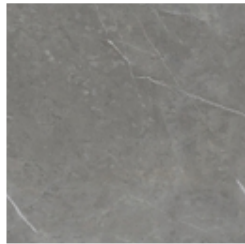
**Solid wood**  
Brushed natural oak



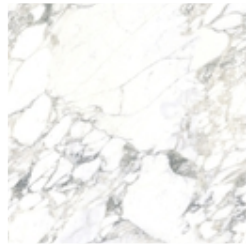
**Solid wood**  
American walnut



**Wood with natural edges**  
American walnut



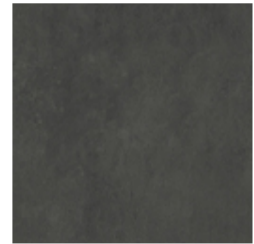
**Mat ceramic**  
Ardesia grey



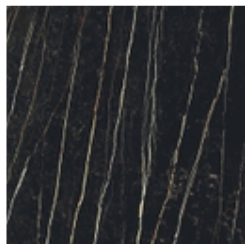
**Glossy ceramic**  
Calacatta



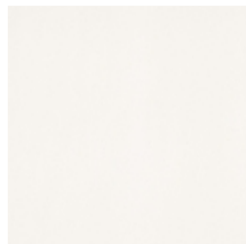
**Silk finish ceramic**  
Calacatta macchia vecchia



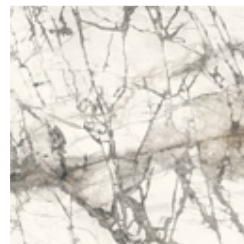
**Mat ceramic**  
Graphite grey



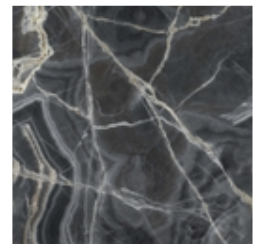
**Mat ceramic**  
Laurent



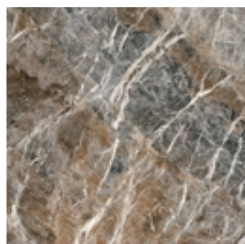
**Mat ceramic**  
Iridium white



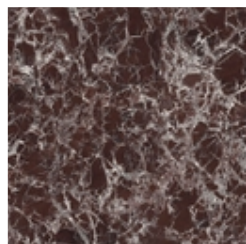
**Glossy ceramic**  
Imperial grey



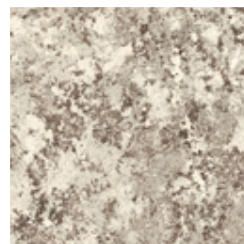
**Glossy ceramic**  
Black Onyx



**Glossy ceramic**  
Mountain peak



**Glossy ceramic**  
Rosso imperiale



**Mat ceramic**  
Alaska White



**Mat ceramic**  
Augusta

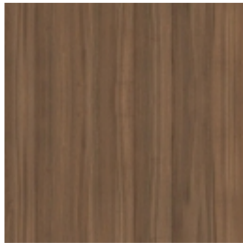


**Glass**  
Acid-treated black

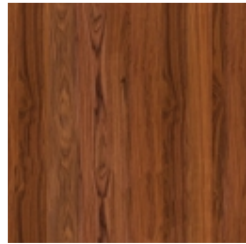


**Glass**  
Extra-light acid-treated white

## Barrel-shaped top



**Veneered wood**  
Walnut Canaletto



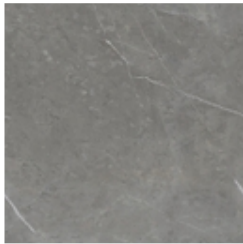
**Solid wood**  
American walnut



**Solid wood**  
Brushed coal oak



**Solid wood**  
Brushed natural oak



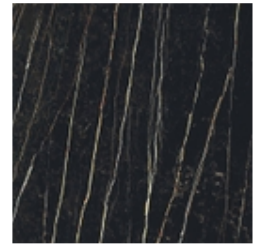
**Mat ceramic**  
Ardesia grey



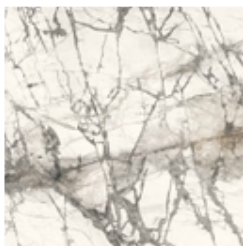
**Glossy ceramic**  
Calacatta



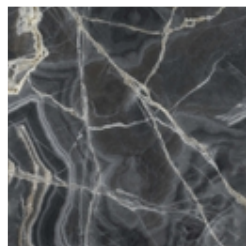
**Silk finish ceramic**  
Calacatta macchia vecchia



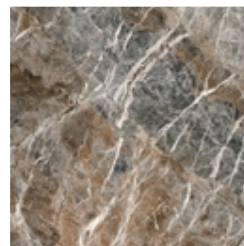
**Mat ceramic**  
Laurent



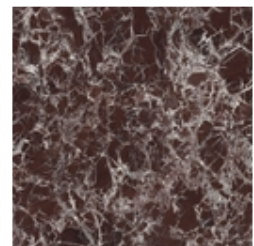
**Glossy ceramic**  
Imperial grey



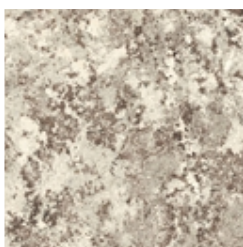
**Glossy ceramic**  
Black Onyx



**Glossy ceramic**  
Mountain peak



**Glossy ceramic**  
Rosso imperiale



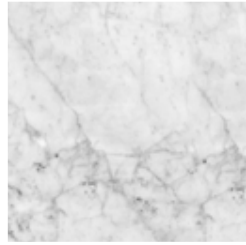
**Mat ceramic**  
Alaska White



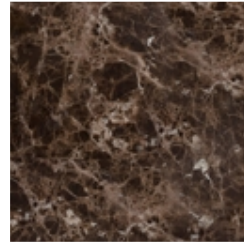
**Mat ceramic**  
Augusta



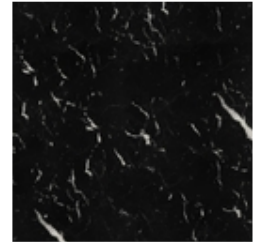
**Marble**  
Calacatta



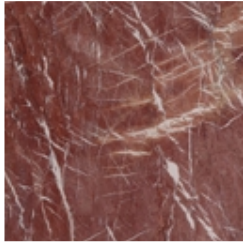
**Marble**  
Carrara



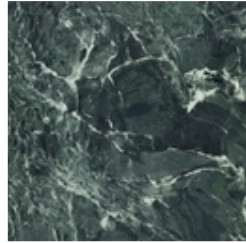
**Marble**  
Emperador



**Marble**  
Marquinia



**Marble**  
Rosso Carpazi



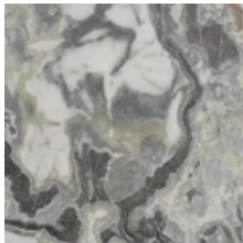
**Marble**  
Saint Denis



**Marble**  
Fior di bosco



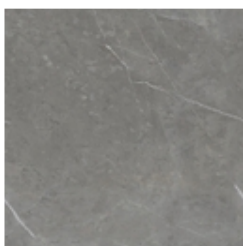
**Marble**  
Travertino Romano



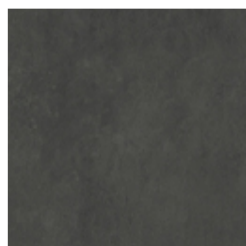
**Marble**  
Dover White

---

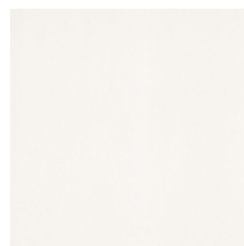
## Leaf table top



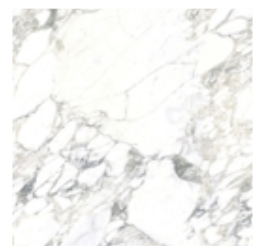
**Mat ceramic**  
Ardesia grey



**Mat ceramic**  
Graphite grey



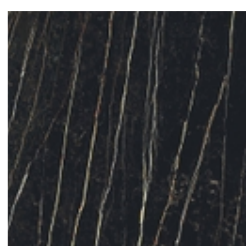
**Mat ceramic**  
Iridium white



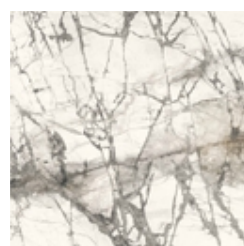
**Glossy ceramic**  
Calacatta



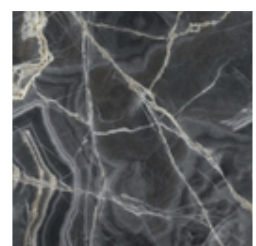
**Silk finish ceramic**  
Calacatta macchia vecchia



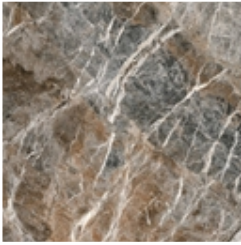
**Mat ceramic**  
Laurent



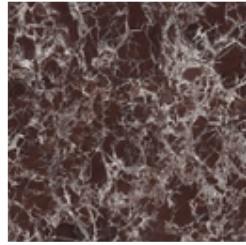
**Glossy ceramic**  
Imperial grey



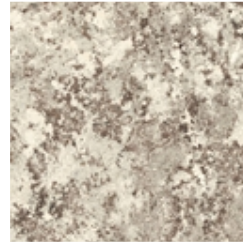
**Glossy ceramic**  
Black Onyx



**Glossy ceramic**  
Mountain peak



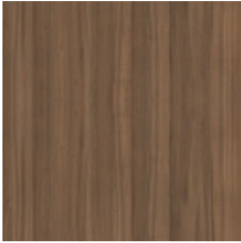
**Glossy ceramic**  
Rosso imperiale



**Mat ceramic**  
Alaska White



**Mat ceramic**  
Augusta



**Veneered wood**  
Walnut Canaletto

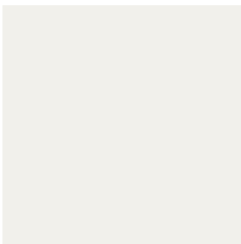


**Veneered wood**  
Brushed coal oak

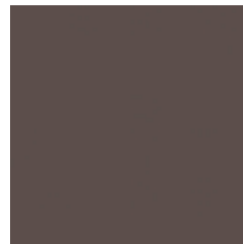


**Veneered wood**  
Brushed natural oak

## Base



**Painted metal**  
Mat white



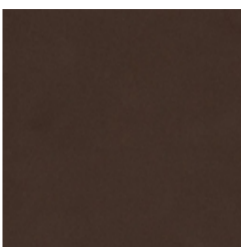
**Painted metal**  
Mat brown



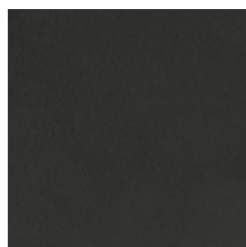
**Painted metal**  
Mat black



**Painted metal**  
Mat dove grey



**Painted metal**  
Mat bronze



**Painted metal**  
Mat lead



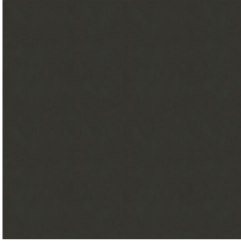
**Painted metal**  
Mat pearl gold



**Painted metal**  
Mat brass



**Painted metal**  
Mat copper



**Metal finish**  
Burnished



**Metal finish**  
Copper-bronze

---

Materials, fabrics, leathers, colors and finishes are approximate and may slightly differ from actual ones. You can find the complete collection of Bonaldo fabrics and leathers on the website <https://bonaldo.biz>