

BONALDO

Seki

Designer: Marconato and Zappa



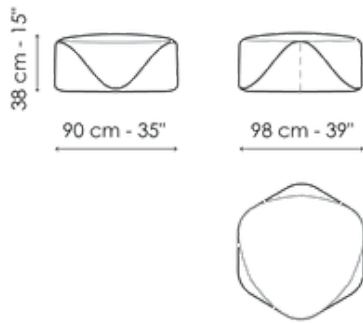
The Seki modern floor poufs, reminiscent of stones polished by the wind and rain, create a sculptural, eye-catching shape which fits seamlessly into any space.

Due to the absence of edges and right angles their seemingly irregular frame takes on different shapes depending on the angle from which they are observed. The cover, divided in half by a curved line, makes it possible to play with different materials: the lower part, in contact with the floor, recalls the shoreline, while the upper part reproduces the shape and faces of the stone.

The Seki poufs are available in two sizes and can be upholstered in fabric or leather; it is also possible to choose the version with covers in two different colours or materials.



Data sheet

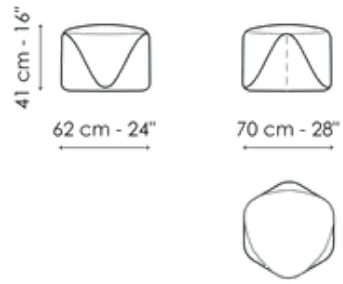


Seki 98

Width: 98cm

Depth: 90cm

Height: 38cm



Seki 70

Width: 70cm

Depth: 62cm

Height: 41cm

Finishes

Materials, fabrics, leathers, colors and finishes are approximate and may slightly differ from actual ones. You can find the complete collection of Bonaldo fabrics and leathers on the website <https://bonaldo.biz>